



**CA100 Socket/ CA200 Thread/ CA300 Flanged  
Size: 1/2" - 4"**

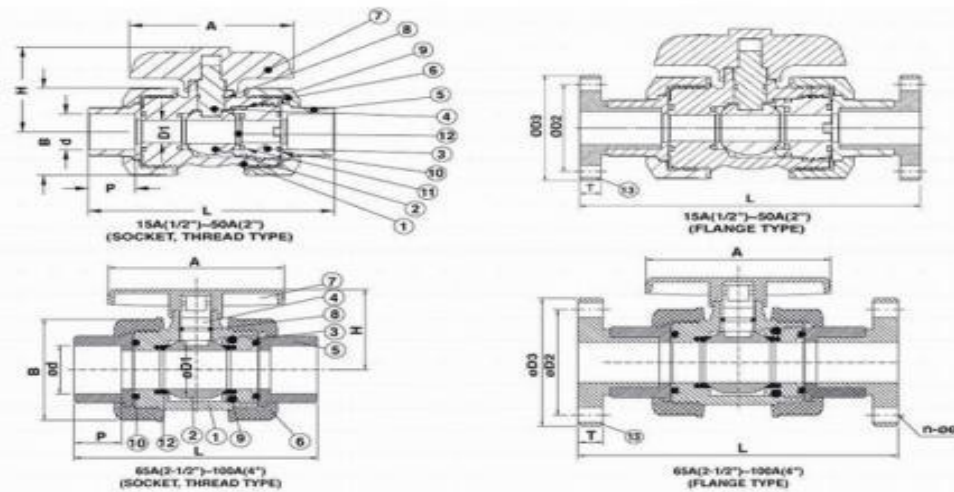
- Low Operation Torque
- The Key Design on the handle to remove the threaded seat cartridge easily.
- Nice, neat outer appearance design.

**MATERIALS OF CONSTRUCTION**

Item	Parts	Materials	Item	Parts	Materials
1	Body	UPVC, PP, CPVC, PVDF	8	Stem O-ring	EPDM, VITON
2	Ball	UPVC, PP, CPVC, PVDF	9	Body O-ring	EPDM, VITON
3	Seat Carrier	UPVC, PP, CPVC, PVDF	10	Seat Carrier O-ring	EPDM, VITON
4	Stem	UPVC, PP, CPVC, PVDF	11	Stem O-ring	EPDM, VITON
5	End Connector	UPVC, PP, CPVC, PVDF	12	Seat	TEFLON
6	Union Nut	UPVC, PP, CPVC, PVDF	13	Flanges	UPVC, PP, CPVC, PVDF
7	Handle	ABS			

**DIMENSIONS TABLE**

Size	JIS													Test Press kgf/cm <sup>2</sup>		
	D1	D2	D3	d		e	n	P	L			A	T		H	B
				Socket	Thread				Socket	Thread	Flange					
1/2"	14.3	70	95	32	PT1/2	15	4	22.23	117	117	153	77.5	15	80	54.5	15
3/4"	19.2	75	100	35	PT3/4	15	4	25.4	133	133	173	85.7	16	94	65.3	15
1"	25.8	90	125	32	PT1	19	4	26.58	147.5	147.5	194	97.7	17	105	73	15
1-1/4"	30	100	135	35	PT1-1/4	19	4	31.75	172.5	172.5	218	108	17	116	82.3	15
1-1/2"	38	105	140	45	PT1-1/2	19	4	34.93	189	189	235	118	17	142	98	15
2"	45	120	155	60	PT2	19	4	38.10	204.5	204.5	255	135	20	156	120	15
2-1/2"	65	140	175	75	PT2-1/2	19	4	44.45	230	230	277	150	20	140	150	10
3"	78	150	185	89	PT3	19	8	47.63	272	272	329	230	20	165	184	10
4"	85	175	210	114	PT4	19	8	57.15	326	326	384	274	23	172	227	10



**DIMENSIONS TABLE**

Size	ANSI													Test Press lb/in <sup>2</sup>		
	D1	D2	D3	d		e	n	P	L			A	T		H	B
				Socket	Thread				Socket	Thread	Flange					
1/2"	0.563	2.375	3.500	0.840	NPT1/2	0.625	4	0.875	4.606	4.606	6.024	3.051	0.591	3.150	2.146	222
3/4"	0.756	2.750	3.875	1.050	NPT3/4	0.625	4	1.000	5.236	5.236	6.811	3.374	0.630	3.700	2.571	222
1"	1.016	3.125	4.250	1.315	NPT1	0.625	4	1.125	5.807	5.807	7.638	3.846	0.669	4.134	2.874	222
1-1/4"	1.181	3.500	4.625	1.496	NPT1-1/4	0.625	4	1.250	6.787	6.787	8.583	4.248	0.669	4.567	3.240	222
1-1/2"	1.486	3.875	5.000	1.900	NPT1-1/2	0.625	4	1.375	7.441	7.441	9.252	4.648	0.709	5.591	3.858	222
2"	1.886	4.750	6.000	2.375	NPT2	0.750	4	1.500	8.051	8.051	10.039	6.538	0.787	6.535	4.724	222
2-1/2"	2.590	5.500	7.000	3.875	NPT2-1/2	0.750	4	1.750	9.055	9.055	10.905	7.480	0.787	5.512	5.905	148
3"	3.070	6.000	7.500	3.500	NPT3	0.750	4	1.875	10.709	10.709	12.952	9.055	0.866	6.456	7.244	148
4"	3.350	7.500	9.000	4.500	NPT4	0.750	8	2.250	12.835	12.835	15.118	10.787	0.866	6.772	7.835	148

Size	DIN													Test Press kgf/cm <sup>2</sup>		
	D1	D2	D3	d		e	n	P	L			A	T		H	B
				Socket	Thread				Socket	Thread	Flange					
1/2"	14.3	66	95	20	R1/2	14	4	16.0	117	117	153	77.5	15	80	54.5	15
3/4"	19.2	75	105	25	R3/4	14	4	18.5	133	133	173	85.7	16	94	65.3	15
1"	25.8	85	115	32	R1	14	4	22.0	147.5	147.5	194	97.7	17	105	73	15
1-1/4"	30	100	140	40	R1-1/4	18	4	26.0	172.5	172.5	218	108	17	116	82.3	15
1-1/2"	38	110	150	50	R1-1/2	18	4	31.0	189	189	235	118	17	142	98	15
2"	45	120	165	63	R2	18	4	37.5	204.5	204.5	255	135	20	156	120	15
2-1/2"	65	145	185	75	R2-1/2	18	4	43.5	230	230	277	150	20	140	150	10
3"	78	160	200	90	R3	18	8	51.0	272	272	329	230	20	165	184	10
4"	85	180	220	110	R4	18	8	61.0	326	326	384	274	23	172	227	10

※ 本表代表GFK材料為基準。本表若以PVC、PVDF材料為基準，尺寸與重量均為參考值。